

# WK THERM 8

Hammer driven fastener  
with metal pin and short  
expansion zone,  $\varnothing$  8 mm



ANCHORAGE  
DEPTH  
ONLY  
**25 mm**



ETAG 014 A B C



SECURE FIXING OF INSULATING MATERIALS

UP TO **280 mm** THICK!

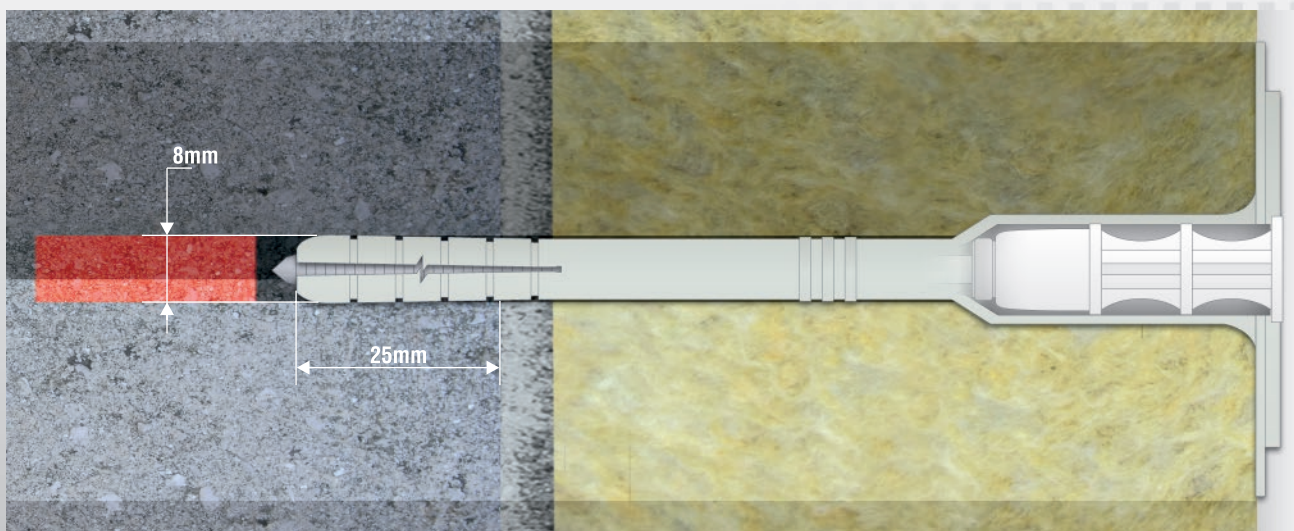
## WK THERM 8

Standard thermal insulation fasteners require a time consuming drilling process and drill hole preparation. This extends the installation time and increases the costs of equipment wear and tear, as well as scaffolding hire. Reduced drilling depth saves time and money. WK THERM fasteners offer substantial benefits. They also offer an innovative approach to thermal protection of buildings. WK THERM fasteners combine the features of metal pin fasteners and plastic pin fasteners. Extended 25 mm plastic head of the metal pin complies with most recent European standards. It also eliminates heat loss through the so-called "thermal bridge".

**WK THERM fasteners offer state-of-the-art fixing solutions for thermal insulation systems.**



UP TO **50%**  
REDUCED DRILL  
HOLE DEPTH



Improved and shorter expansion zone greatly reduces the depth of the drill hole (even by 55mm) and the drilling time. It also ensures secure installation in both solid materials (concrete, ceramic brick) and hollow walls (chequer brick and silica brick).

Special design of the pin's head and the additional sealing eliminate thermal bridging which frequently occurs in fasteners with metal nail. Hence, this significantly improves the insulation performance of the fixing.

# WK THERM 8

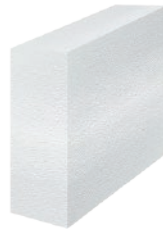
Hammer driven fastener with metal pin and short expansion zone



## Description

Universal fastener for fastening polystyrene and mineral wool

## Type of insulation material with which the fastener is to be used



Polystyrene foam EPS



Polystyrene foam EPS



Mineral wool

## ETAG 014 use cat.

A	B	C
Concrete	Solid clay bricks, Calcium silicate bricks	Porous blocks

## Features and advantages of the product



### Metal nail's head sealed in plastic

Very low point thermal transmittance (0.002 W/K) enhances the heat transfer coefficient of the whole barrier and additionally protects the nail against corrosion



### Innovative design of the plug

Large amount of pocket adhesives on the support washer increases the adhesiveness of the mortar. Greater stiffness of the support washer means better holding power of the material fixture.



### Short expansion zone, 8mm diameter

New expansion zone provides for maximum strength of the fastener with a minimum workload and maintaining low equipment outlays.

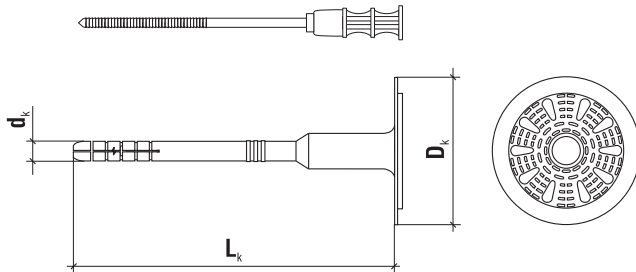


### Screw-in fixing

Screw-in parameters and provides for flush fitting of the fastener with the insulation material. These fasteners are real time-savers.

# WK THERM 8

## Hammer driven fastener with metal pin and short expansion zone



### Product marking

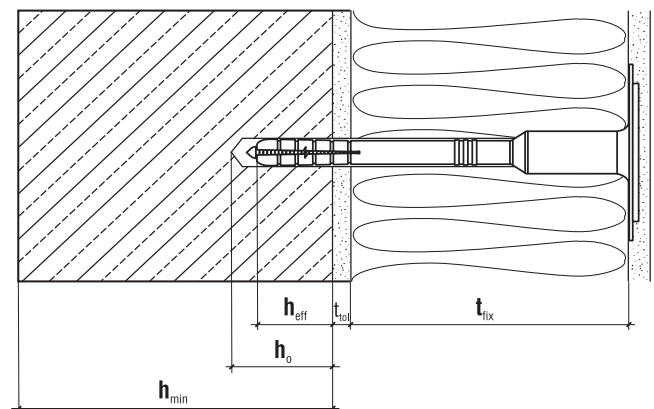
<b>WK THERM</b>	<b>08</b>	<b>095</b>	<b>(200)</b>
Fastener type	Diameter	Length	Number of pieces in a box

### PRODUCT RANGE

	Code	$d_k \times L_k$ [mm]	Insulation material thickness $t_{fix}$ [mm]				Pcs
			New buildings		Old buildings		
			$t_{tot}$ adhesive layer of 10 mm		$t_{tot}$ adhesive layer of 10 mm + 20 mm of old plaster		
			without cutter	with cutter	without cutter	with cutter	
<b>Ø8</b>	WK THERM08095(200)	8x95	60	80	40	60	200
	WK THERM08115(200)	8x115	80	100	60	80	200
	WK THERM08135(200)	8x135	100	120	80	100	200
	WK THERM08155(200)	8x155	120	140	100	120	200
	WK THERM08175(200)	8x175	140	160	120	140	200
	WK THERM08195(200)	8x195	160	180	140	160	200
	WK THERM08215(100)	8x215	180	200	160	180	100
	WK THERM08235(100)	8x235	200	220	180	200	100
	WK THERM08255(100)	8x255	220	240	200	220	100
	WK THERM08275(100)	8x275	240	260	220	240	100
WK THERM08295(100)	8x295	260	280	240	260	100	

### TECHNICAL DATA

Parameter	Unit	Value
Plug diameter	$d_k$ [mm]	8
Washer diameter	$D_k$ [mm]	60
Anchorage depth	$h_{eff}$ [mm]	25
Drilled hole depth	$h_o$ [mm]	35
Thermal conductivity	$\chi$ [W/K]	0.002
Washer stiffness	$S$ [kN/mm]	0.60
Use categories	-	<b>A B C</b>
Plug material	-	PE
Pin material	-	Carbon steel, nylon + GF coated head
European Technical Approval	-	<b>ETA-11/0232</b>



# WK THERM 8

Hammer driven fastener with metal pin and short expansion zone

## RESISTANCE

ETAG 014 use cat.	Substrate	Density [kg/dm <sup>3</sup> ]	Characteristic pull-out resistance
A	Concrete C12/15	≥ 1.80	1.20
A	Concrete >C16/20	≥ 2.30	1.50
B	Solid clay bricks	≥ 1.70	1.50
B	Calcium silicate solid brick	≥ 2.00	1.50
C	Calcium silicate hollow blocks	≥ 1.60	1.20
C	Perforated solid brick	≥ 0.95	0.60
C	Vertically perforated ceramic blocks	≥ 0.80	0.60

Partial safety factor for anchor resistance  $\gamma_m=2$  (valid in absence of national regulations)

## INSTALLATION DATA

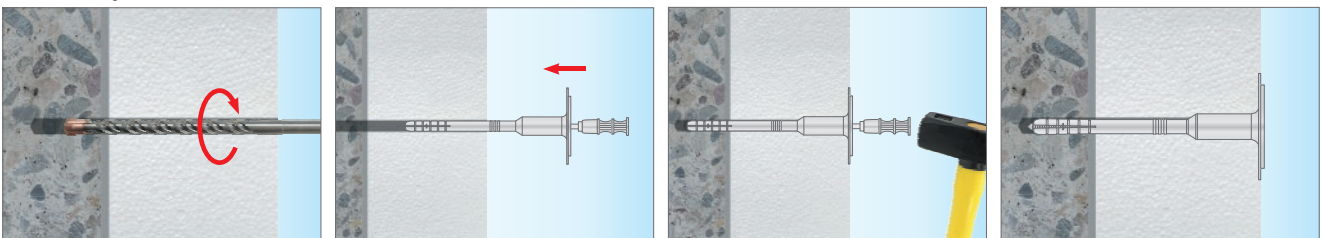
Fastener type	WK THERM 8
Min. base material thickness $h_{min}$ [mm]	100
Minimum anchor spacing $L_{os}$ [mm]	100
Minimum edge distance $C_{min}$ [mm]	100

## WK THERM 8

### PULL-TROUGH TEST INSULATION SAMPLE [kN]

R panel	EPS 035/60 mm	EPS 040/60 mm
	0.47 [kN]	0.47 [kN]

### Installation spot visible



### Installation spot covered up with a polystyrene disc

