

TD-060, TDP-060

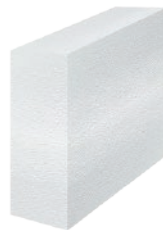
Special screwed-in fastener with screw



Description

Special screwed-in fastener with steel screw for fastening of mineral wool and polystyrene in wooden and steel sheet substrates

Type of insulation material with which the fastener is to be used



Polystyrene foam



Mineral wool

Substrate



Timber
fiber-cement
board.



Steel sheet

Features and advantages of the product



KDH



KDHT



WSR



WDB



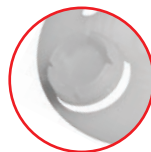
Support washer design

Universal application for installing commonly-used insulation material in timber and steel sheet substrates



Holding plate

To be used with a wide range of screws –allows for installing insulation materials of different thicknesses



Washer-integrated cap

Minimizes thermal bridging and seals connections

PRODUCT RANGE

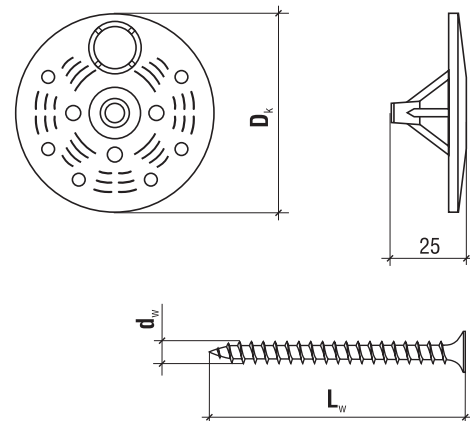
Insulation material thickness [mm]	Washer	Steel sheet < 0.88mm	Steel sheet > 0.88mm	Timber, OSB, Cement board
		WDB	WSR	KDHT/KDH
30	TD-60, TDP-60	WDB-48050	WSR-48050	KDHT/KDH-05060
40	TD-60, TDP-60	WDB-48060	WSR-48060	KDHT/KDH-05070
50	TD-60, TDP-60	WDB-48070	WSR-48070	KDHT/KDH-05080
60	TD-60, TDP-60	WDB-48080	WSR-48080	KDHT/KDH-05090
70	TD-60, TDP-60	WDB-48090	WSR-48090	KDHT/KDH-05100
80	TD-60, TDP-60	WDB-48100	WSR-48100	KDHT/KDH-06110
90	TD-60, TDP-60	WDB-48120	WSR-48120	KDHT/KDH-06120
100	TD-60, TDP-60	WDB-48120	WSR-48120	KDHT/KDH-06140
110	TD-60, TDP-60	WDB-48140	WSR-48140	KDHT/KDH-06140
120	TD-60, TDP-60	WDB-48140	WSR-48140	KDHT/KDH-06160
130	TD-60, TDP-60	WDB-48160	WSR-48160	KDHT/KDH-06160
140	TD-60, TDP-60	WDB-48160	WSR-48160	KDHT/KDH-06180
150	TD-60, TDP-60	WSR-48180	WSR-48180	KDHT/KDH-06180
160	TD-60, TDP-60	WSR-48180	WSR-48180	KDHT/KDH-06200
170	TD-60, TDP-60	WSR-48200	WSR-48200	KDHT/KDH-06200
180	TD-60, TDP-60	WSR-48200	WSR-48200	KDHT/KDH-06200
190	TD-60, TDP-60	WSR-48200	WSR-48200	-

Product marking

TD	060
Fastener type/material NYLON	Diameter

Product marking

TDP	060
Fastener type/material PP POLYPROPYLENE	Diameter



TECHNICAL DATA

Parameter	Unit	Steel sheet < 0.88mm	Steel sheet > 0.88mm	Timber, OSB board, Cement board
Plug diameter	d_w [mm]	4.8	4.8	5.0/6.0
Washer diameter	D_k [mm]	64	64	64
Anchorage depth	h_{eff} [mm]	20	20	30 : 12.5 : 18*
Plug material	-	Poliamid PA/ Polipropylen PP	Poliamid PA/ Polipropylen PP	Poliamid PA/ Polipropylen PP
Pin material	-	Zinc plated steel	Zinc plated steel	Zinc plated steel
Technical Approval	-	AT-15-9228/13	AT-15-9228/13	AT-15-9228/13

* - Timber, OSB board

DESIGN PULL-OUT RESISTANCE [KN]

Substrate	Substrate thickness [mm]	Product marking	Design resistance kN	Product marking	Design resistance kN
Steel sheet profile	0.50	WDB	0.24	WSR	0.21
Steel sheet profile	0.75	WDB	0.40	WSR	0.55
Steel sheet profile	0.88	WDB	0.68	WSR	0.87
Steel sheet profile	1.00	-	-	WSR	1.03
Steel sheet profile	1.25	-	-	WSR	1.23
Timber C22	30.0	KDH 5.0	1.19	KDH 6.0	1.55
Timber C22	42.0	KDH 5.0	2.12	KDH 6.0	2.77
OSB board	12.5	KDH 5.0	0.31	KDH 6.0	0.35
OSB board	18.0	KDH 5.0	0.47	KDH 6.0	0.51
Fibreboard	12.5	KDH 5.0	0.32	KDH 6.0	0.22

Installation spot visible

