

LTX-8

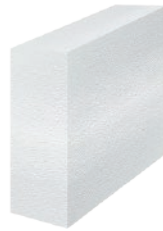
Universal hammer driven fastener with plastic pin - short expansion zone



Description

Universal fastener for fastening of polystyrene in various substrates

Type of insulation material with which the fastener is to be used



Polystyrene foam EPS

ETAG 014 use cat.

A	B	C	D	E
Concrete	Solid clay bricks, Calcium silicate bricks	Porous blocks	Elements on LAC lightweight aggregate	Aerated concrete

Features and advantages of the product



NEW IMPROVED DESIGN
embedding of
25 and 65 mm.

Owing to the new design of the expansion zone the fastener can be installed in all substrate categories while maintaining its high strength parameters



Improved design of the pin's head

Improved design of the pin's head ensures good strength during installation



Innovative design of the plug

Greater stiffness of the support washer means better holding power of the material fixture

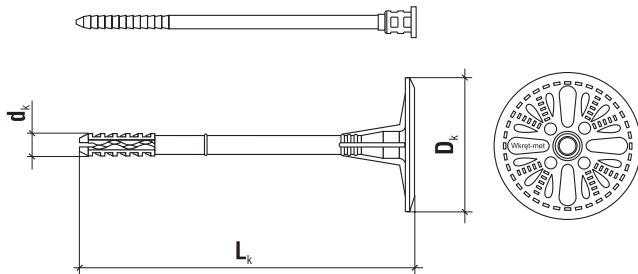


Innovative design of the plug

Large amount of pocket adhesives on the support washer increases the adhesiveness of the mortar

LTX-8

Universal hammer driven fastener with plastic pin - short expansion zone



Product marking

LTX	08	095	(200)
Fastener type	Diameter	Length	Number of pieces in a box

PRODUCT RANGE

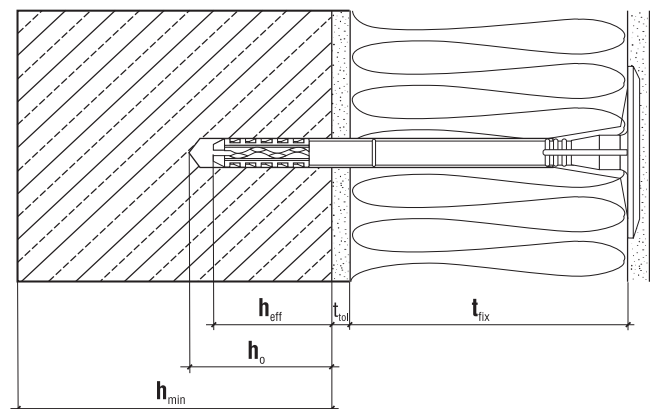
	Code	$d_k \times L_k$ [mm]	Insulation material thickness t_{fix} [mm]				Pcs
			New buildings		Old buildings		
			t_{tot} adhesive layer of 10 mm		t_{tot} adhesive layer of 10 mm + 20 mm of old plaster		
			without cutter	with cutter	without cutter	with cutter	
Ø8	LTX08095(200)	8x95	60/20*	80/40*	40/-*	60/20*	200
	LTX08115(200)	8x115	80/40*	100/60*	60/20*	80/40*	200
	LTX08135(200)	8x135	100/60*	120/80*	80/40*	100/60*	200
	LTX08155(200)	8x155	120/80*	140/100*	100/60*	120/80*	200
	LTX08175(200)	8x175	140/100*	160/120*	120/80*	140/100*	200
	LTX08195(200)	8x195	160/120*	180/140*	140/100*	160/120*	200

* - for substrate use category E (aerated concrete)

TECHNICAL DATA

Parameter	Unit	Value
Plug diameter	d_k [mm]	8
Washer diameter	D_k [mm]	60
Anchorage depth	h_{eff} [mm]	25/65*
Drilled hole depth	h_o [mm]	35/75*
Thermal conductivity	χ [W/K]	Surface mount
		immersed mount
		0.000
		0.000
Washer stiffness	S [kN/mm]	0.50
Use categories	-	A B C D E
Plug material	-	PE
Pin material	-	PA + GF
Technical Approval	-	ETA-16/0509

* - for substrate use category E (aerated concrete)



LTX-8

Universal hammer driven fastener with plastic pin - short expansion zone

NEW IMPROVED DESIGN!

Resistance

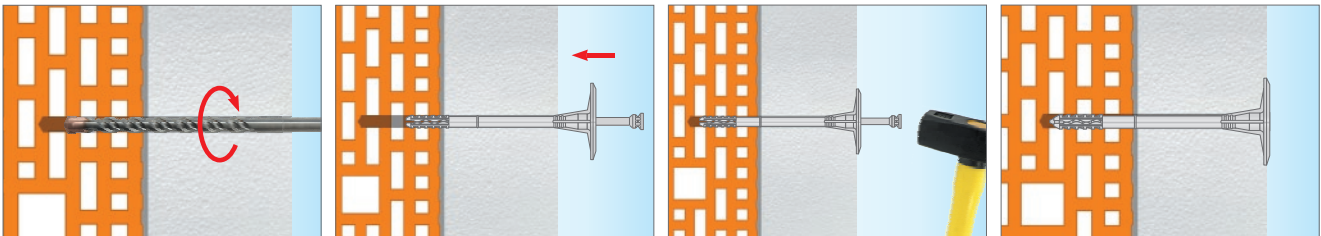
ETAG 014 use cat.	Substrate	Density [kg/dm ³]	Characteristic pull-out resistance
A	Concrete C12/15	≥ 2.25	0.50
A	Concrete C20/25 - C50/60	≥ 2.30	0.75
B	Solid clay bricks	≥ 2.00	0.75
B	Calcium silica solid brick	≥ 2.00	0.75
C	Calcium silicate hollow blocks	≥ 1.60	0.75
C	Vertically perforated clay bricks	≥ 1.20	0.60
C	Porotherm 25	≥ 0.80	0.40
D	Elements on LAC lightweight aggregate	≥ 0.88	0.60
E	Autoclaved aerate concrete AAC2	≥ 0.35	0.75
E	Autoclaved aerate concrete AAC7	≥ 0.65	0.90

Partial safety factor for anchor resistance $\gamma_m = 2$ (valid in absence of national regulations)

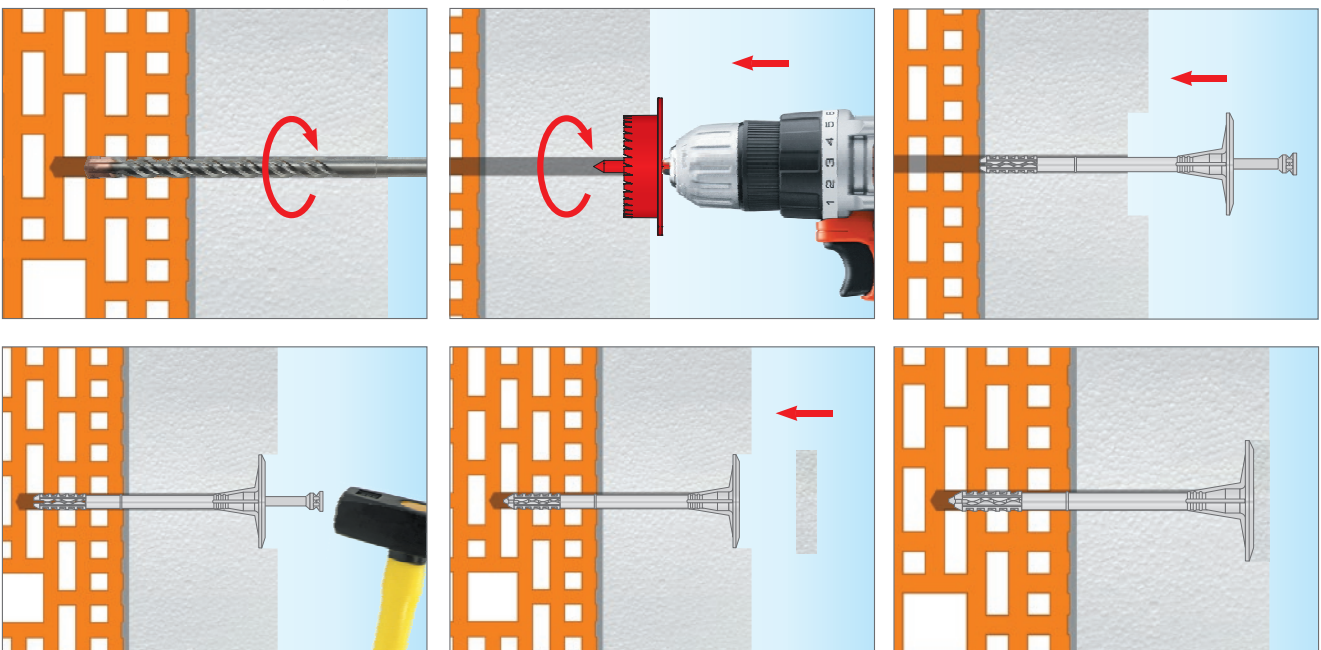
INSTALLATION DATA

Fastener type	LTX 8
Min. base material thickness h_{min} [mm]	100
Minimum anchor spacing L_{cs} [mm]	100
Minimum edge distance C_{min} [mm]	100

Installation spot visible



Installation spot covered up with a polystyrene disc



LTX-10

Universal hammer driven fastener with plastic pin - short expansion zone



Description

Universal fastener for fixing polystyrene

Type of insulation material with which the fastener is to be used



Polystyrene foam EPS

ETAG 014 use cat.

A	B	C	D	E
Concrete	Solid clay bricks, Calcium silicate bricks	Porous blocks	Elements on LAC lightweight aggregate	Autoclaved aerate concrete

Features and advantages of the product



NEW IMPROVED DESIGN
embedment of
30 and 50 mm.

Owing to the new design of the expansion zone the fastener can be installed in all substrate categories while maintaining its high strength parameters



Fibreglass reinforced nail

Ensures good strength during installation. Nail's head design makes installation easier and seals the sleeve – nail connection



Innovative design of the plug

Greater stiffness of the support washer means better holding power of the material fixture

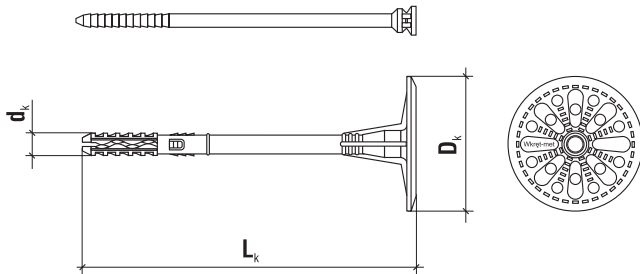


Innovative design of the plug

Large amount of pocket adhesives on the support washer increases the adhesiveness of the mortar

LTX-10

Universal hammer driven fastener with plastic pin - short expansion zone



Product marking

LTX	10	070	(200)
Fastener type	Diameter	Length	Number of pieces in a box

PRODUCT RANGE

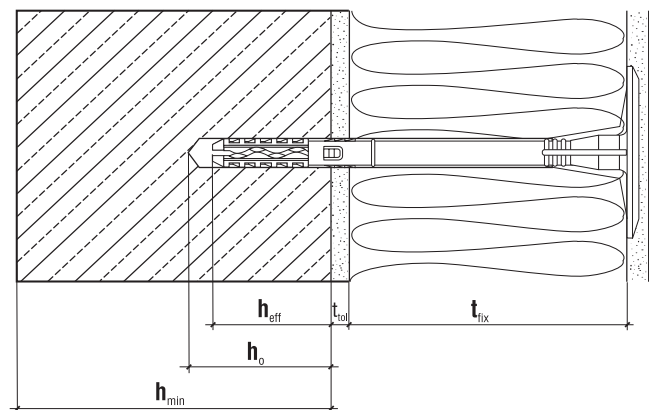
	Code	$d_k \times L_k$ [mm]	Insulation material thickness t_{fix} [mm]				Pcs
			New buildings		Old buildings		
			t_{tot} adhesive layer of 10 mm		t_{tot} adhesive layer of 10 mm + 20 mm of old plaster		
			without cutter	with cutter	without cutter	with cutter	
ø10	LTX10070(200)	10x70	30/10*	50/30*	10/-*	30/10*	200
	LTX10090(200)	10x90	50/30*	70/50*	30/10*	50/30*	200
	LTX10110 (200)	10x110	70/50*	90/70*	50/30*	70/50*	200
	LTX10120(200)	10x120	80/60*	100/80*	60/40*	80/60*	200
	LTX10140(200)	10x140	100/80*	120/100*	80/60*	100/80*	200
	LTX10160(200)	10x160	120/100*	140/120*	100/80*	120/100*	200
	LTX10180(200)	10x180	140/120*	160/140*	120/100*	140/120*	200
	LTX10200(200)	10x200	160/140*	180/160*	140/120*	160/140*	200
	LTX10220(100)	10x220	180/160*	200/180*	160/140*	180/160*	100
	LTX10260(100)	10x260	220/200*	240/220*	200/180*	220/200*	100

* - for substrate use category E (aerated concrete)

TECHNICAL DATA

Parameter	Unit	Value
Plug diameter	d_k [mm]	10
Washer diameter	D_k [mm]	60
Anchorage depth	h_{eff} [mm]	30/50*
Drilled hole depth	h_o [mm]	40/60*
Thermal conductivity	χ [W/K]	Surface mount
		0.001
		immersed mount
		0.000
Washer stiffness	S [kN/mm]	0.50
Use categories	-	A B C D E
Plug material	-	PE
Pin material	-	PA + GF
Technical Approval	-	ETA-16/0509

* - for substrate use category E (aerated concrete)



LTX-10

Universal hammer driven fastener with plastic pin - short expansion zone

NEW IMPROVED DESIGN!

Resistance

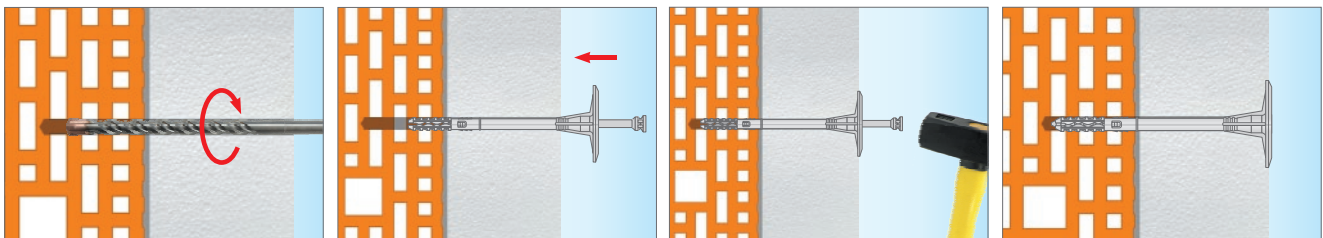
ETAG 014 use cat.	Substrate	Density [kg/dm ³]	Characteristic pull-out resistance
A	Concrete C12/15	≥ 2.25	0.50
A	Concrete C20/25 - C50/60	≥ 2.30	0.75
B	Solid clay bricks	≥ 2.00	0.75
B	Calcium silica solid brick	≥ 2.00	0.60
C	Calcium silicate hollow blocks	≥ 1.60	0.60
C	Vertically perforated clay bricks	≥ 1.20	0.60
C	Porotherm 25	≥ 0.80	0.40
D	Elements on LAC lightweight aggregate	≥ 0.88	0.60
E	Autoclaved aerate concrete AAC2	≥ 0.35	0.50
E	Autoclaved aerate concrete AAC7	≥ 0.65	0.60

Partial safety factor for anchor resistance $\gamma_m = 2$ (valid in absence of national regulations)

INSTALLATION DATA

Fastener type	LTX 10
Min. base material thickness h_{min} [mm]	100
Minimum anchor spacing L_{os} [mm]	100
Minimum edge distance C_{min} [mm]	100

Installation spot visible



Installation spot covered up with a polystyrene disc

