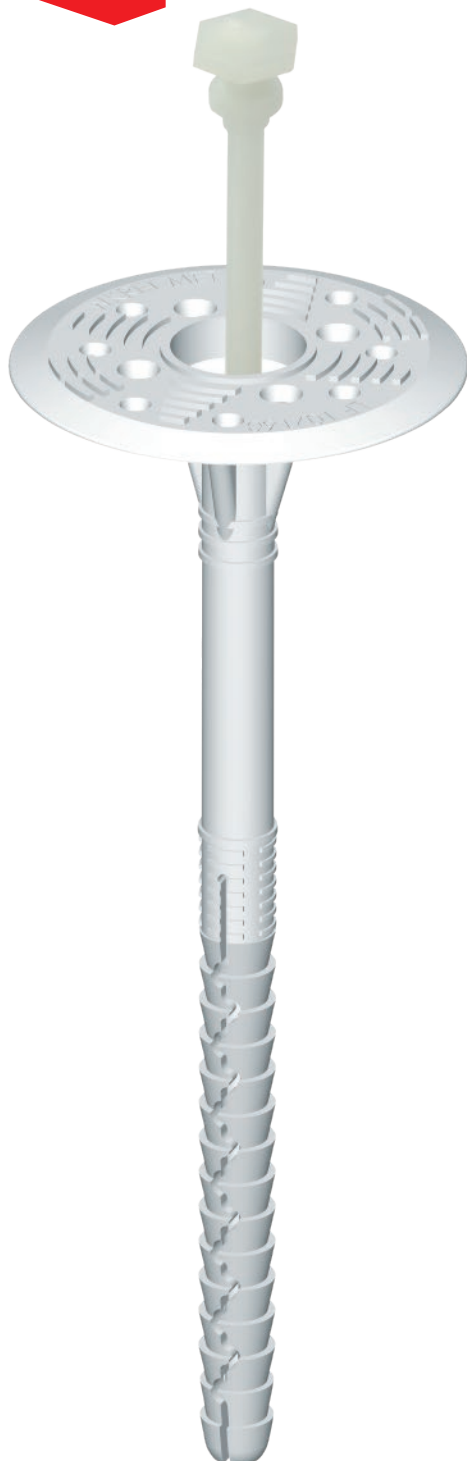


LFN-10

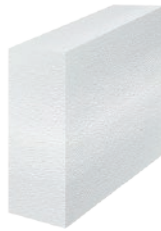
Hammer driven fastener with nylon pin and extended expansion zone



Description

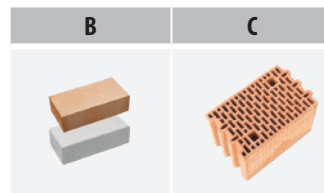
Universal fastener for installing of polystyrene

Type of insulation material with which the fastener is to be used



Polystyrene foam EPS

ETAG 014 use cat.



Solid clay bricks,
Calcium silicate
bricks

Porous blocks

Features and advantages of the product



Fibreglass reinforced nail

Ensures good strength during installation. Nail's head design makes installation easier and seals the sleeve – nail connection



Innovative design of the plug

Greater stiffness of the support washer means better holding power of the material fixture

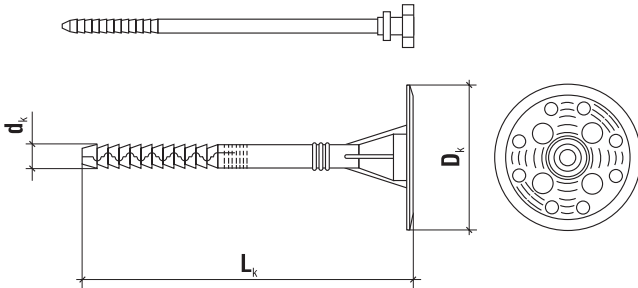


Long expansion zone

Long expansion zone ensures steady and reliable distribution of forces in the substrate

LFN-10

Hammer driven fastener with nylon pin and extended expansion zone



Product marking

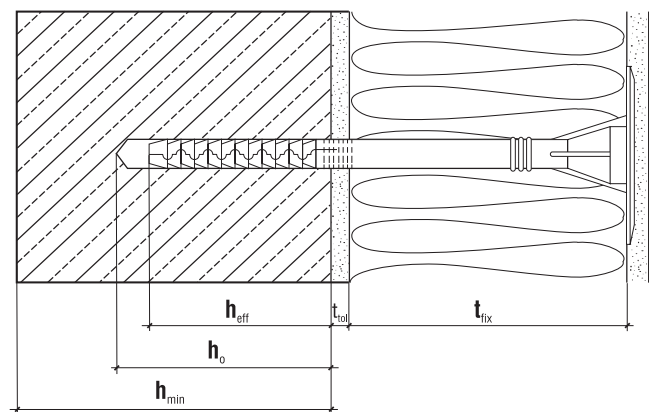
LFN	10	140	(200)
Fastener type	Diameter	Length	Number of pieces in a box

PRODUCT RANGE

	Code	$d_k \times L_k$ [mm]	Insulation material thickness t_{fix} [mm]				Pcs
			New buildings		Old buildings		
			t_{tot} adhesive layer of 10 mm		t_{tot} adhesive layer of 10 mm + 20 mm of old plaster		
			without cutter	with cutter	without cutter	with cutter	
ø10	LFN10140(200)	10x140	50	70	30	50	200
	LFN10160 (200)	10x160	70	90	50	70	200
	LFN10180 (200)	10x180	90	110	70	90	200
	LFN10200 (200)	10x200	110	130	90	110	200
	LFN10220 (100)	10x220	130	150	110	130	100
	LFN10260 (100)	10x260	170	190	150	170	100
	LFN10300 (100)	10x300	210	230	190	210	100

TECHNICAL DATA

Parameter	Unit	Value
Plug diameter	d_k [mm]	10
Washer diameter	D_k [mm]	60
Anchorage depth	h_{eff} [mm]	80
Drilled hole depth	h_o [mm]	90
Thermal conductivity	χ [W/K]	0.00
Washer stiffness	S [kN/mm]	x
Use categories	-	BC
Plug material	-	PP
Pin material	-	PA + GF
European Technical Approval	-	ETA-06/0105



LFN-10

Hammer driven fastener with nylon pin and extended expansion zone

RESISTANCE

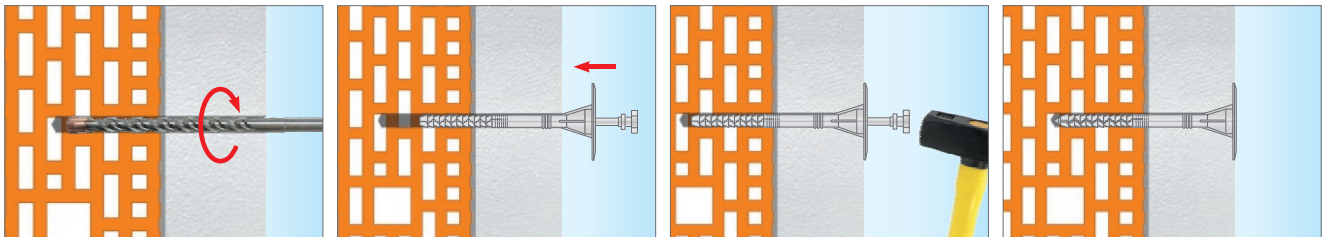
ETAG 014 use cat.	Substrate	Density [kg/dm ³]	Characteristic pull-out resistance
B	Solid clay bricks	≥ 1.61	0.60
C	Perforated bricks	≥ 1.17	0.50

Partial safety factor for anchor resistance $\gamma_m = 2$ (valid in absence of national regulations)

INSTALLATION DATA

Fastener type	LFN 10
Min. base material thickness h_{min} [mm]	100
Minimum anchor spacing L_{os} [mm]	100
Minimum edge distance C_{min} [mm]	100

Installation spot visible



Installation spot covered up with a polystyrene disc

