

KRW Hammer-in expanding metal anchor Ø6



Description

Anchor designed for fixing of suspended ceiling systems in concrete.

Technical data

Type of installation push-through installation.

Substrate concrete, solid clay brick.

Sleeve material/protective coating

Yellow zinc

Features and advantages of the product



Steel anchor

High resistance to fire, class A1 fire rating (fireproof).

For cracked concrete

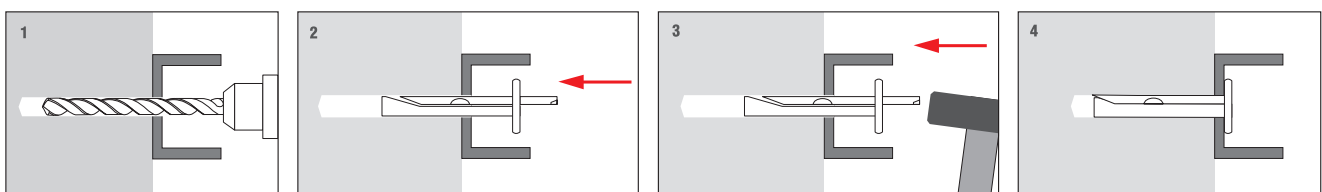
Highly recommended for suspended ceiling fixings in reinforced concrete.

Hammer-in installation diameter of 6 mm

Used as a substitute for standard 'rapid installation' plugs, where steel anchors are required.



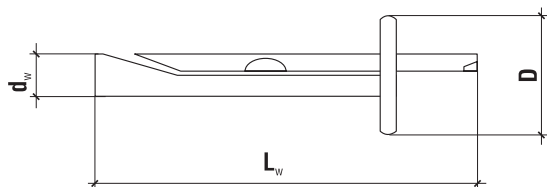
Installation



Product marking

KRW	06	035
Type	Diameter	Length

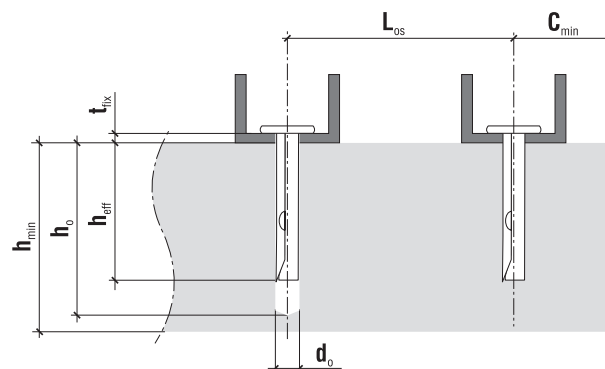
TECHNICAL DATA



	Code	Collar diameter D [mm]	$d_w \times L_w$ [mm]	Max. fixture thickness t_{fix} [mm]	Pcs
06	KRW-06035	15	6.0 x 32.5	5	100
	KRW-06065	15	6.0 x 62.5	30	100

TECHNICAL DATA

Parameter	Unit	KRW
Anchor diameter	d_w [mm]	6
Hole diameter	d_o [mm]	6
Effective anchorage depth	h_{eff} [mm]	28
Depth of drill hole	h_o [mm]	35
Sleeve material	x	Zinc plated steel
Approval	x	AT-15-9018/2012



DESIGN PULL-OUT RESISTANCE [kN]

Substrate	KRW
Concrete C20/25	2.56
Cracked concrete	1.19
Solid clay brick	1.00

SUBSTRATE, MINIMUM THICKNESS, DISTANCE

Substrate	Min. member thickness h_{min} [mm]	Min. edge distance c_{min} [mm]	Min. spacing L_{os} [mm]
Concrete C20/25	60	30	60
Solid clay brick	60	30	60