

RUC

Universal plug $\varnothing 6, \varnothing 8$ with round hook



Description

Universal plug with round hook

Technical data

Type of installation pre-fastening installation

Substrate concrete, solid clay brick, perforated solid brick, plasterboard

Sleeve material/protective coating

100%
nylon

Blue
zinc

Features and advantages of the product



Anti-rotation lugs

Protrusions on the sleeve keep it in place when screwing in the screw.



Stop collar

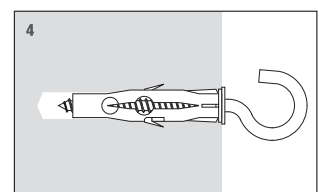
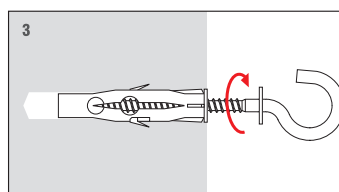
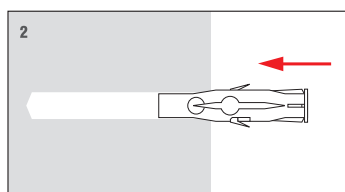
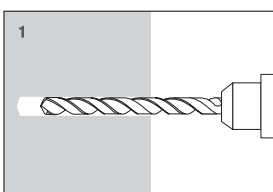
Screw hooks come with special stop collar which makes the screw rest on the plug and enables correct installation.

Nylon sleeve

Nylon with increased elasticity ensures correct expansion in the hollow material.



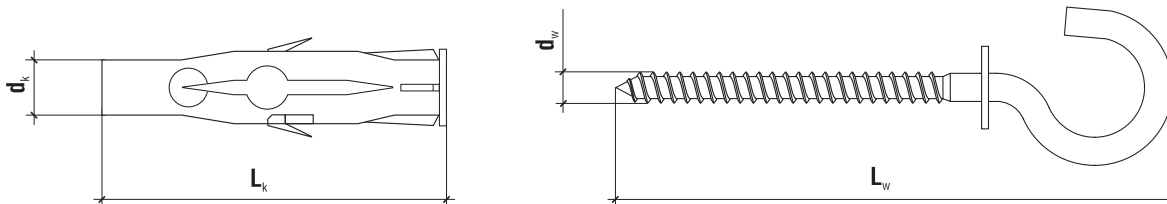
Installation



TECHNICAL DATA

Product marking

RUC	06	065
Type	Diameter	Length

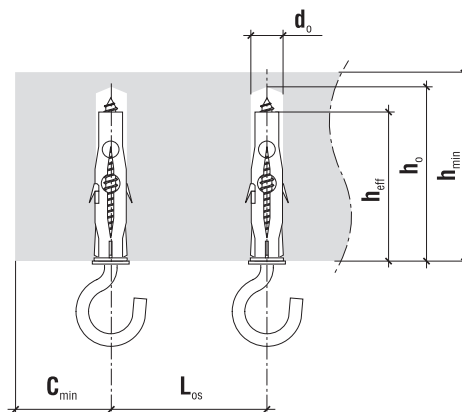


	Code	$d_k \times L_k$ [mm]	$d_w \times L_w$ [mm]	Pcs
ø6	RUC-06065	6.0 x 35	3.5 x 65	50
ø8	RUC-08083	8.0 x 50	4.5 x 83	25

TECHNICAL DATA

Parameter	Unit	RUC
Plug diameter	d_k [mm]	6/8
Hole diameter	d_o [mm]	6/8
Effective anchorage depth	h_{eff} [mm]	35/50*
Depth of drill hole	h_o [mm]	45/60*
Sleeve material	x	PA
Screw material	x	Zinc plated steel

* - for RUC-8



DESIGN PULL-OUT RESISTANCE [kN]

Substrate	RUC-6	RUC-8
Concrete C20/25	0.20	0.28
Solid clay brick	0.14	0.20
Perforated solid brick	0.14	0.20
Plasterboard	0.18	0.26

* - min. plasterboard thickness 6 mm for each type of fastener

SUBSTRATE, MINIMUM THICKNESS, DISTANCE

Plug type	Min. member thickness h_{min} [mm]	Min. edge distance c_{min} [mm]	Min. spacing L_{os} [mm]
RUC-6	70	70	140
RUC-8	100	100	200

