

PR Frame plug with straight hook Ø8, Ø10



AT-15-9031/2012



Description

Expansion plug for fixing of interior finish systems

Technical data

Type of installation pre-fastening installation

Substrate concrete, solid clay brick, perforated solid brick, calcium silicate brick, autoclaved aerated concrete

Sleeve material/protective coating

100%
nylon

Blue
zinc

Features and advantages of the product

Long anchorage zone

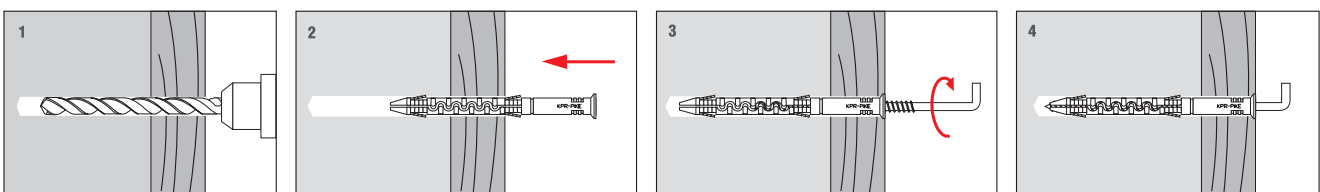
Makes it suitable for use in all material types, recommended for porous and hollow materials.

Screw - straight hook

Suitable for standard wall decorations.



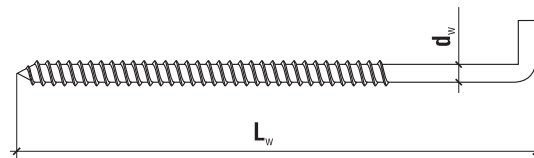
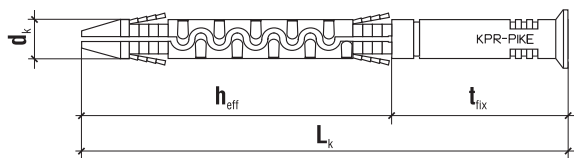
Installation



TECHNICAL DATA

Product marking

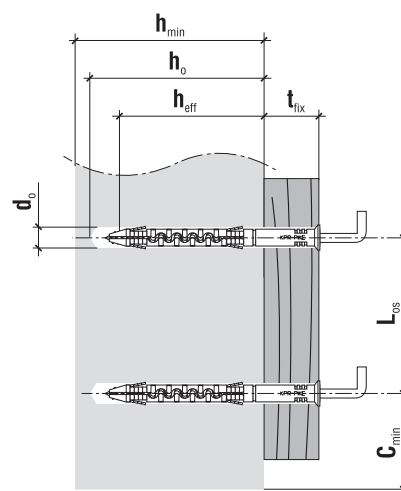
PR	08	080
Type	Diameter	Length



	Code	$d_k \times L_k$ [mm]	$d_w \times L_w$ [mm]	Max. fixture thickness t_{fix} [mm]	Pcs
ø8	PR-08080	8.0 x 80	6.0 x 100	30	50
	PR-08100	8.0 x 100	6.0 x 120	50	50
ø10	PR-10100	10 x 100	7.0 x 120	40	50
	PR-10135	10 x 135	7.0 x 155	75	50
	PR-10160	10 x 160	7.0 x 180	100	50

TECHNICAL DATA

Parameter	Unit	PR-8/PR-10
Plug diameter	d_k [mm]	8/10
Hole diameter	d_o [mm]	8/10
Effective anchorage depth	h_{eff} [mm]	50/60
Depth of drill hole	h_o [mm]	60/70
Sleeve material	x	PA
Screw material	x	Zinc plated steel
Approval	x	AT-15-9031/2012



DESIGN PULL-OUT RESISTANCE [kN]

Substrate	PR-8	PR-10
Concrete C20/25	0.41	0.84
Solid clay brick	0.29	0.61
Perforated solid brick	0.29	0.61
Calcium silicate brick	0.29	0.61
Autoclaved aerated concrete	0.37	0.76

SUBSTRATE, MINIMUM THICKNESS, DISTANCE

Plug type	Min. member thickness h_{min} [mm]	Min. edge distance c_{min} [mm]	Min. spacing L_{os} [mm]
PR-8	100	100	200
PR-10	120	120	240